

Features

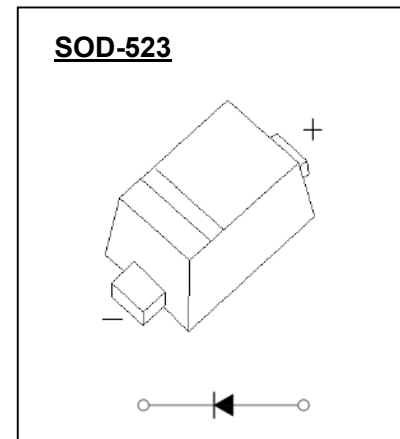
- ◆ Small surface mounting type
- ◆ Low reverse current and low forward voltage
- ◆ High reliability

Marking



C=Device code

The marking bar indicates the cathode



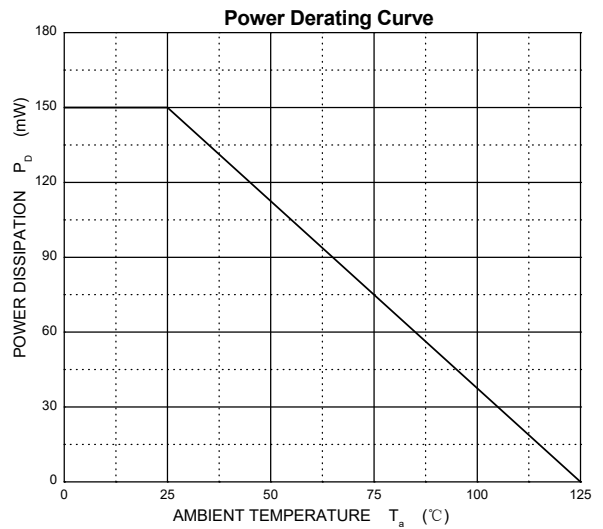
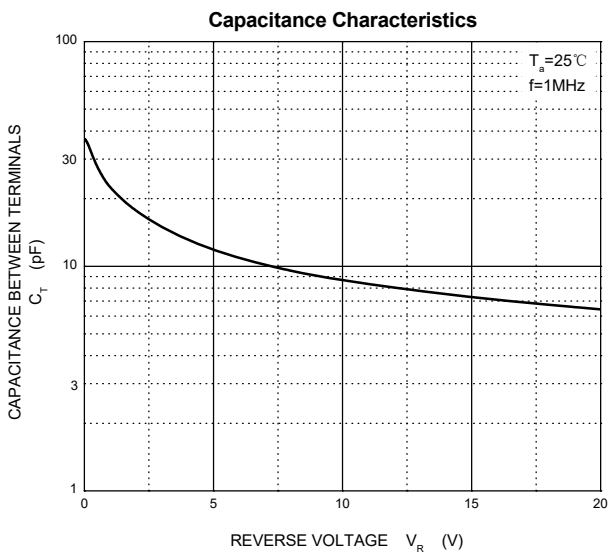
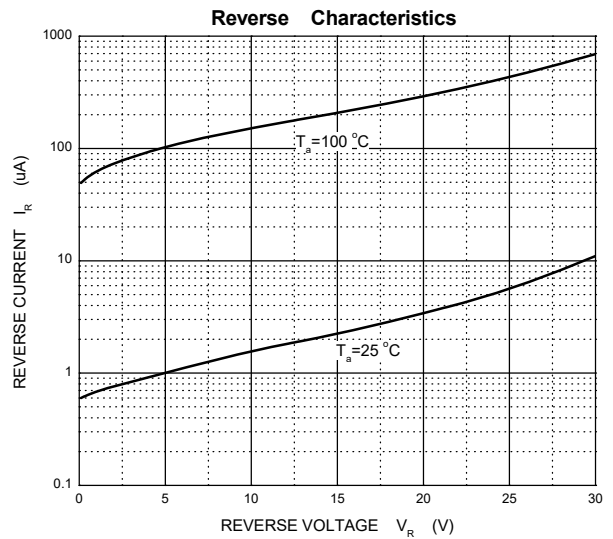
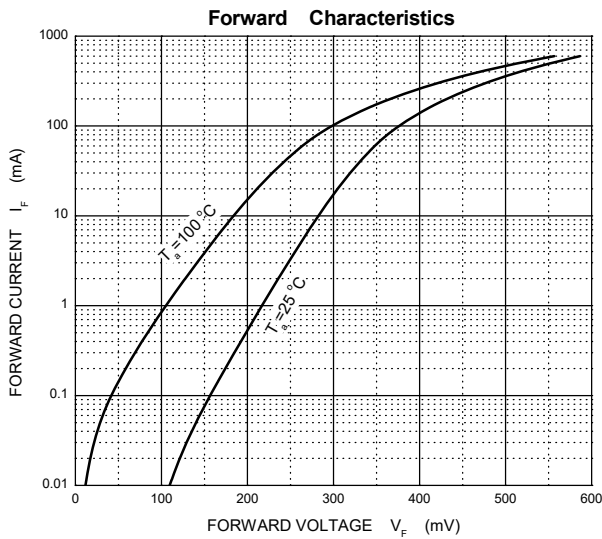
Maximum Ratings & Thermal Characteristics (T_A=25°C unless otherwise specified)

Parameter	Symbol	Limit	Unit
DC reverse voltage	V _R	30	V
Mean rectifying current	I _O	200	mA
Non-repetitive Peak forward surge current @ t=8.3ms	I _{FSM}	1	A
Power dissipation	P _D	150	mW
Thermal Resistance Junction to Ambient	R _{θJA}	667	°C/W
Operating Junction Temperature Range	T _j	-40 ~ +125	°C
Storage Temperature Range	T _{stg}	-55 ~ +150	°C

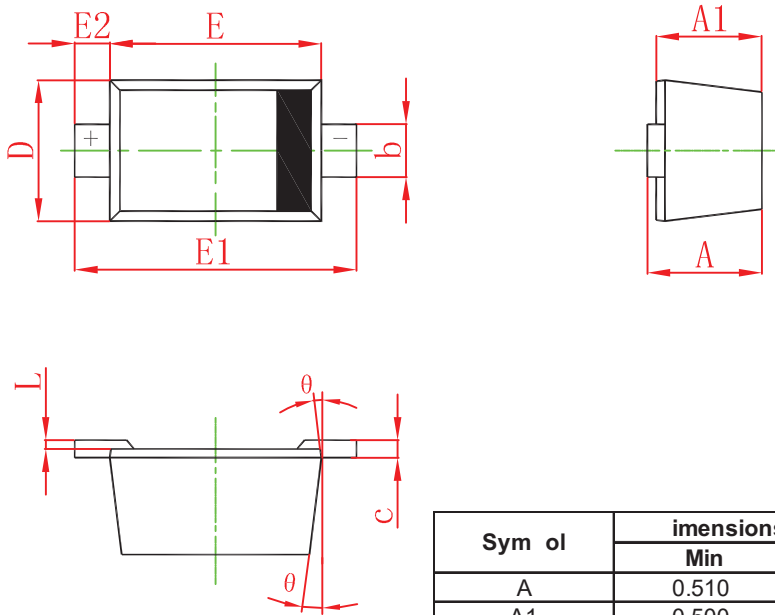
Electrical Characteristics (T_A=25°C unless otherwise specified)

Parameter	Symbol	Min	Typ	Max	Unit	Conditions
Forward voltage	V _{F1}			0.35	V	I _F =10mA
	V _{F2}			0.5	V	I _F =200mA
Reverse current	I _R			30	μA	V _R =10V

Typical Performance Characteristics (TA=25°C unless otherwise Specified)

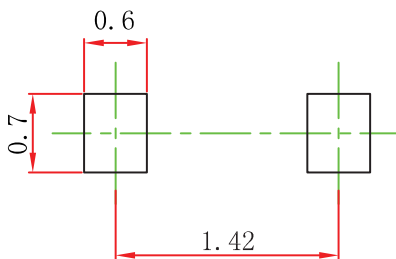


SOD-523 Package Outline Drawing



Sym ol	Dimensions In Millimeters		Dimensions In Inches	
	Min	Max	Min	Max
A	0.510	0.770	0.020	0.031
A1	0.500	0.700	0.020	0.028
b	0.250	0.350	0.010	0.014
c	0.080	0.150	0.003	0.006
D	0.750	0.850	0.030	0.033
E	1.100	1.300	0.043	0.051
E1	1.500	1.700	0.059	0.067
E2	0.200 REF		0.008 REF	
L	0.010	0.070	0.001	0.003
θ	7° REF		7° REF	

Suggested Land Pattern



Note:
 1. Controlling dimension: in millimeters.
 2. General tolerance: ± 0.05mm.
 3. The pad layout is for reference purposes only.